

**Attaching Endless Spandex Elastic Tape Sewing Machine**

**E22**

**E23**

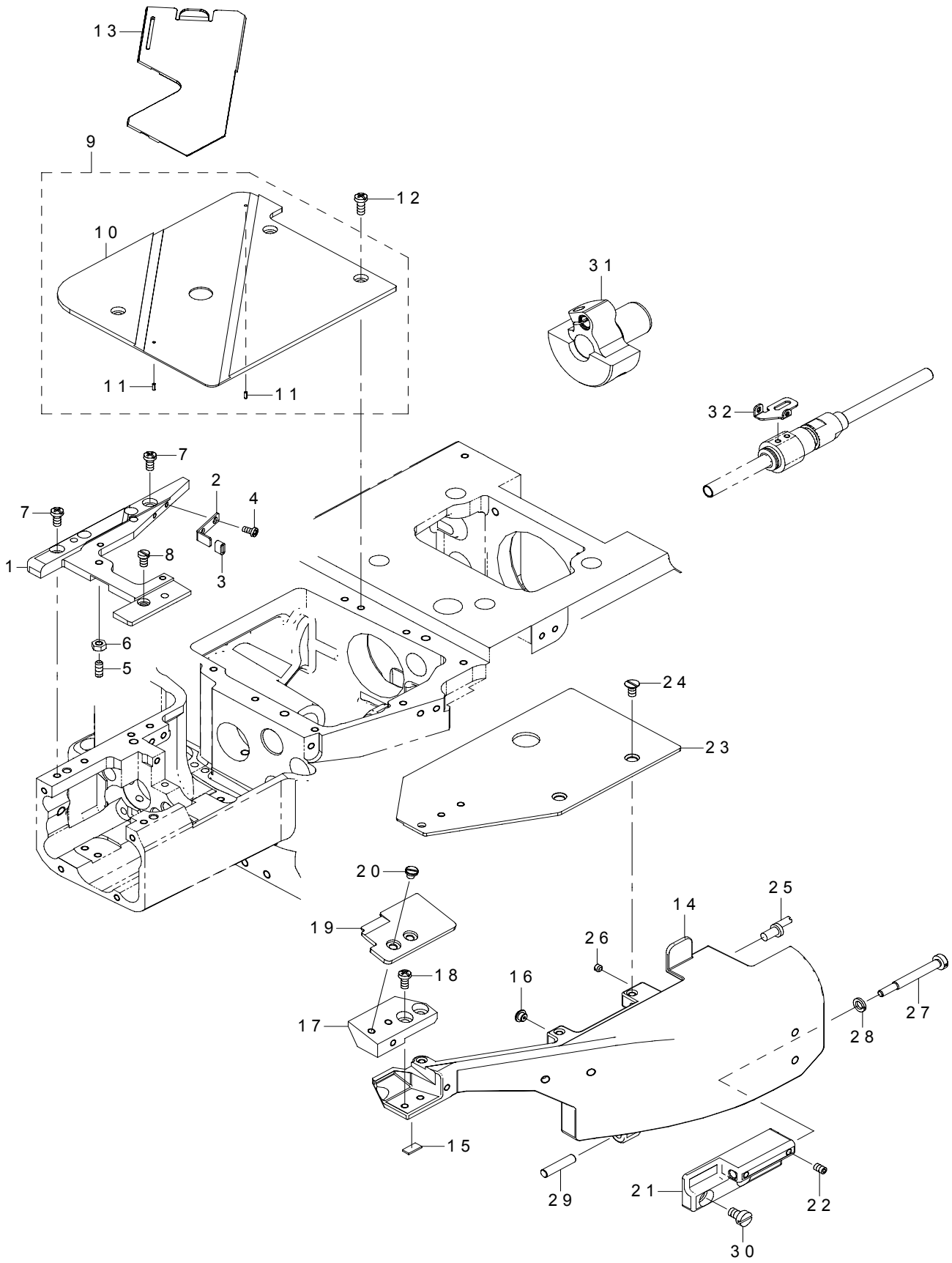
# **PARTS LIST**

---

ALL PARTS NOT MENTIONED IN THIS PARTS LIST ARE SAME AS THOSE OF  
MODEL MF-7900. OTHER PARTS LIST RELATED TO THIS MODEL.

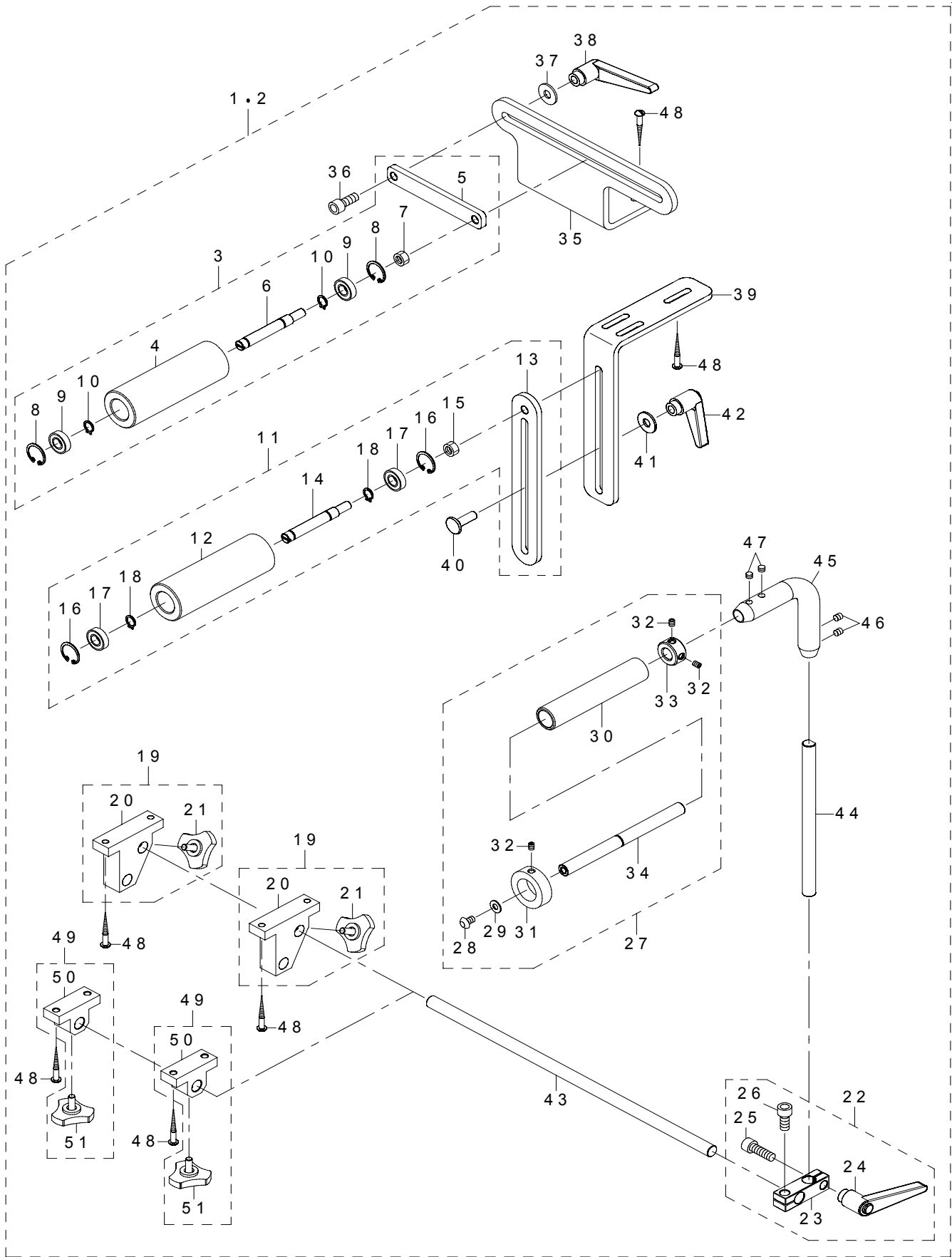
\*MF-7900 SERIES(NO.1599 PART NO.70002009)

# 1. MISCELLANEOUS COVER COMPONENTS



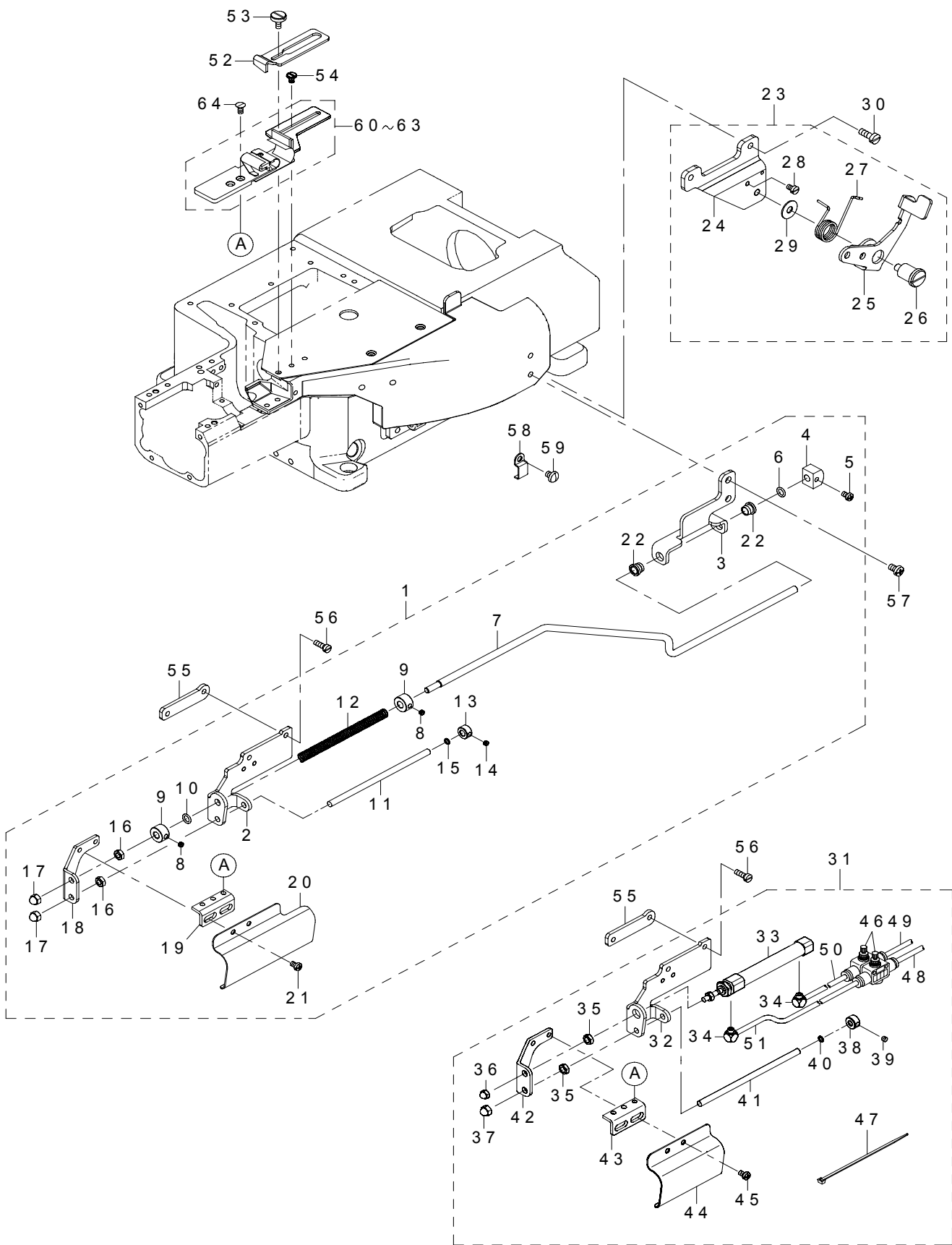
REF.NO	NOTE	PART NO	DESCRIPTION	Qty
1		700-03404	THROAT_PLATE_SUPPORT_E22	1
2		134-03407	SLIDE_COVER_SUPPORT	1
3		236-30007	TUBE	0.01
4		SM-4030655-SP	SCREW	2
5		SM-8041012-TP	SCREW M4 L=10	1
6		NM-6040001-SC	NUT M4X0.7 TYPE1	1
7		SM-4040855-SP	SCREW	2
8		SM-6040860-TP	SCREW M4 L=8	1
9		700-03355	CLOTH_PLATE_ASSY	1
10		700-03357	CLOTH_PLATE_REAR	(1)
11		PS-0150042-K0	SPRING PIN 1.5X4	(2)
12		SM-4041055-SP	SCREW	3
13		400-24796	SG_SLIDE_COVER	1
14		700-03402	SWING_DOWN_COVER_E22	1
15		134-03605	RUBBER_PLATE	1
16		133-02302	RUBBER BUMPER	1
17		700-03405	CLOTH_PLATE_BLOCK	1
18		SM-4040855-SP	SCREW	2
19		700-03414	CLOTH_PLATE	1
20		SM-6040450-TP	SCREW M4 L=4	2
21		700-01648	HINGE	1
22		SM-8040412-TP	SCREW M4X4	2
23		700-03409	CLOTH_PLATE_FRONT_E22	1
24		SM-1040800-SP	SCREW	2
25		134-02706	PIN_FOR_COVER	1
26		SM-8040360-TP	SCREW	1
27		700-01414	SCREW	1
28		WS-0510002-KP	SPRING WASHER 5.1X9.2X1.3	1
29		134-09800	DIFF_LINK_PIN	1
30		SM-6050800-SP	SCREW M5 L=8	2
31		700-03417	COUNTER_WEIGHT_33_35	1
32		700-03363	THREAD_GUIDE	1

## 2. TENSION ROLLER COMPONENTS



REF.NO	NOTE	PART NO	DESCRIPTION	Qty
1	#01	400-37978	E20_TENSION_ROLLER_ASM	1
2	#02	400-37979	E21_TENSION_ROLLER_ASM	1
3		400-37374	E20_REAR_ROLLER_SUB_ASSEMBLY	(1)
4		400-37373	REAR_ROLLER	(1)
5		400-30149	REAR_LEVER	(1)
6		400-30147	REAR_SHAFT	(1)
7		NM-6080001-SC	NUT M8X1.25	(1)
8		RC-2200002-KP	RETAINING RING	(2)
9		SB-1100009-00	BEARING	(2)
10		RC-0100001-KP	SNAP RING M10	(2)
11		400-37376	E20_LOWER_ROLLER_SUB_ASSEMBLY	(1)
12		400-37373	REAR_ROLLER	(1)
13		400-30152	ROLLER_PLATE	(1)
14		400-30147	REAR_SHAFT	(1)
15		NM-6080001-SC	NUT M8X1.25	(1)
16		RC-2200002-KP	RETAINING RING	(2)
17		SB-1100009-00	BEARING	(2)
18		RC-0100001-KP	SNAP RING M10	(2)
19	#01	400-37981	E20_KNOB_SUB_ASSEMBLY	(2)
20		400-34579	BRACKET	(1)
21		400-50443	THUMB_SCREW	(1)
22		400-31146	CLAMP_LEVER_SUB_ASSEMBLY	(1)
23		400-30151	BLOCK	(1)
24		400-31043	CLAMP_LEVER	(1)
25		SM-6082502-TP	SCREW M8 L=25	(1)
26		SM-6081802-TP	SCREW	(1)
27		400-37383	E20_FRONT_ROLLER_SUB_ASSEMBLY	(1)
28		SM-3061052-TP	SCREW M6 L=10	(1)
29		WP-0621036-SP	WASHER	(1)
30		400-37381	FRONT_ROLLER	(1)
31		400-37382	ROLLER_COLLAR	(1)
32		SM-8050612-TP	SCREW M5X6	(3)
33		400-30284	COLLAR	(1)
34		400-30143	ROLLER_SHAFT	(1)
35		400-30150	REAR_BRACKET	(1)
36		SM-6082002-TP	SCREW M8 L=20	(1)
37		WP-0851846-SC	WASHER 8.5X22.0X1.8	(1)
38		400-31043	CLAMP_LEVER	(1)
39		400-24944	L_PLATE	(1)
40		MTJ-MS000100	BOLT M8 L=25	(1)
41		WP-0851846-SC	WASHER 8.5X22.0X1.8	(1)
42		400-31043	CLAMP_LEVER	(1)
43		400-30140	LOWER_SLIDE_SHAFT	(1)
44		400-37386	ROLLER_SHAFT	(1)
45		400-30146	ROLLER_BRACKET	(1)
46		SM-8060612-TP	SCREW M6 L=6	(2)
47		SM-8060412-TP	SCREW	(2)
48		SK-3483201-SE	WOOD SCREW D=4.8 L=32	(10)
49	#02	400-31145	KNOB_SUB_ASSEMBLY	(2)
50		400-30139	BRACKET	(1)
51		400-50443	THUMB_SCREW	(1)
		NOTE	#01....FOR E22 #02....FRO E23	

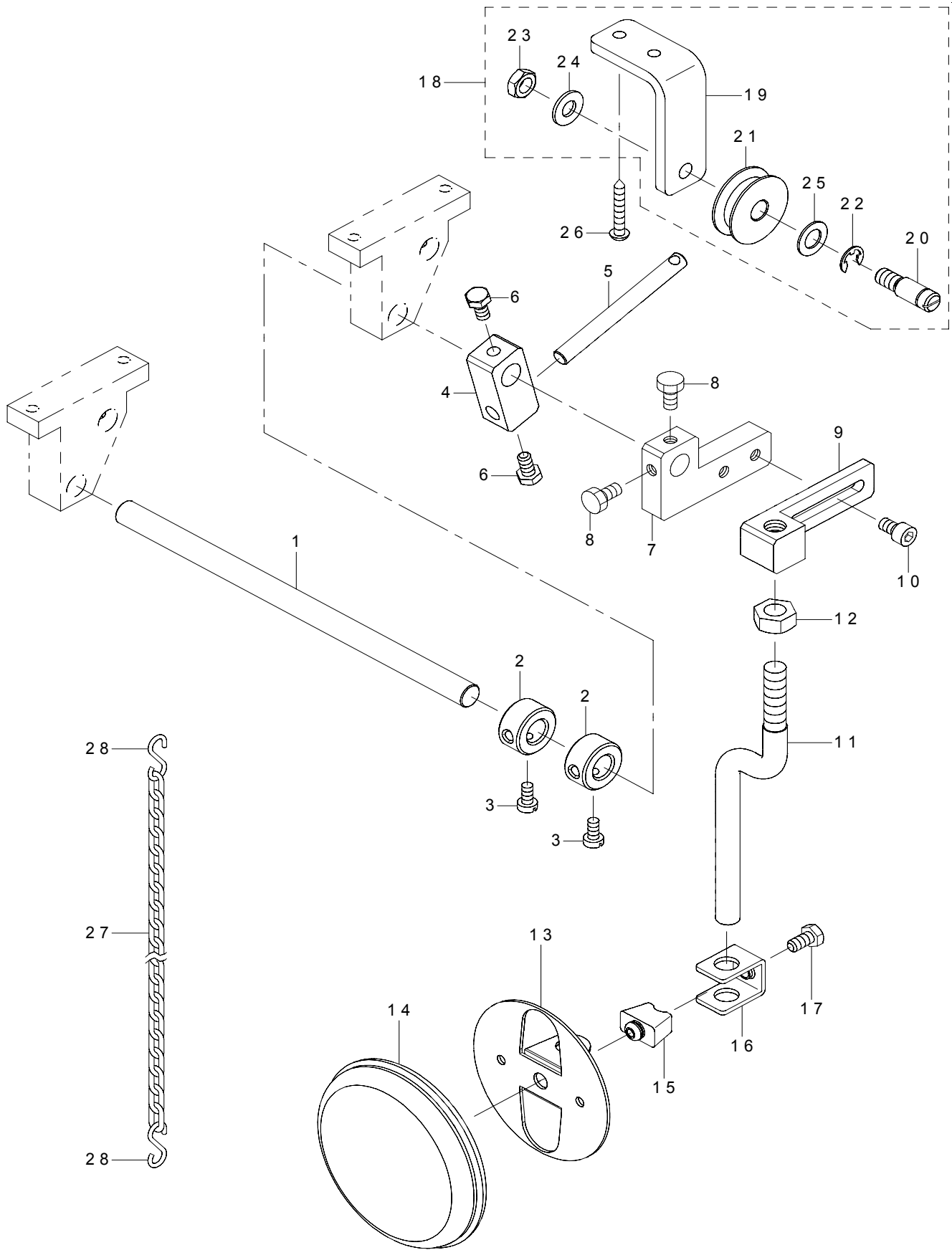
### 3. BINDER COMPONENTS



REF.NO	NOTE	PART NO	DESCRIPTION	Qty
1	#01	700-03420	E22_BRACKET_ASSY	1
2		700-03407	BRACKET_E22	(1)
3		700-03416	GUIDE_SHAFT	(1)
4		400-24790	SG_PLATE	(1)
5		SM-4040655-SP	SCREW M4 L=6	(1)
6		RO-0601501-00	O-RING	(1)
7		700-03413	SHAFT	(1)
8		SM-8040360-TP	SCREW	(2)
9		400-24781	SG_COLLAR	(2)
10		RO-0601501-00	O-RING	(1)
11		400-24794	SG_SHAFT_B	(1)
12		G5501-382-000	PRESSER_SPRING	(1)
13		400-38016	STOPPER_COLLAR	(1)
14		SM-8040360-TP	SCREW	(1)
15		RO-0371801-00	O-RING	(1)
16		NM-6050003-SC	NUT M5X0.8 TYPE3	(2)
17		NM-7050032-SC	HEXAGONAL CAP NUT 3 M5X0.8	(2)
18		400-24770	SG_BRACKET	(1)
19		400-24772	SG_BRACKET_B	(1)
20		400-24786	SG_COVER	(1)
21		SM-4040655-SP	SCREW M4 L=6	(2)
22		700-04058	GUIDE_SHAFT_BUSH	(2)
23	#01	700-03418	LEVER_ASSY	1
24		700-03411	LEVER_BRACKET	(1)
25		700-03412	LEVER	(1)
26		400-24795	SG_SHOULDER_SCREW	(1)
27		400-24799	SG_SPRING_L	(1)
28		SM-6040600-SP	SCREW M4 L=6	(1)
29		WP-0621036-SP	WASHER	(1)
30	#01	SM-6051400-SP	SCREW	2
31	#02	700-03419	E23_AIR_CYLINDER_ASSY	1
32		700-03408	BRACKET_E23	(1)
33		PA-1004510-A0	AIR CYLINDER	(1)
34		PJ-0460525-01	BARB ELBOW	(2)
35		NM-6050003-SC	NUT M5X0.8 TYPE3	(1)
36		NM-7040032-SC	HEXAGONAL CAP NUT 3 M4X0.7	(1)
37		NM-7050032-SC	HEXAGONAL CAP NUT 3 M5X0.8	(1)
38		400-38016	STOPPER_COLLAR	(1)
39		SM-8040360-TP	SCREW	(1)
40		RO-0371801-00	O-RING	(1)
41		400-24794	SG_SHAFT_B	(1)
42		400-24770	SG_BRACKET	(1)
43		400-24772	SG_BRACKET_B	(1)
44		400-24786	SG_COVER	(1)
45		SM-4040655-SP	SCREW M4 L=6	(2)
46		PC-0124010-00	SPEED CONTROLLER	(2)
47		EA-9500B01-00	CABLE BAND	(2)
48		BT-0400251-EB	URETHANE TUBE BLACK 4X2.5	(0.18)
49		BT-0400251-EB	URETHANE TUBE BLACK 4X2.5	(0.18)
50		BT-0400251-EB	URETHANE TUBE BLACK 4X2.5	(0.24)
51		BT-0400251-EB	URETHANE TUBE BLACK 4X2.5	(0.32)
52		700-03415	ELASTIC_GUIDE	1
53		SM-6041050-SN	SCREW	1
54		SM-6040650-TP	SCREW	1
55		700-03406	SPACER	1
56		SM-6041200-SP	SCREW	2
57	#01	SM-4050855-SP	SCREW	2
58	#02	B3509-210-000	OIL TUBE HOLDER C	2
59	#02	SM-4050655-SP	SCREW	2
60		400-24768	SG_BINDER_ASSY_35	1
61	#03	400-24766	SG_BINDER_ASSY_25	1
62	#03	400-24767	SG_BINDER_ASSY_30	1
63	#03	400-24769	SG_BINDER_ASSY_40	1
64		SM-1040870-TP	SCREW	2

NOTE  
#01....FOR E22  
#02....FOR E23  
#03....OPTIONAL PARTS

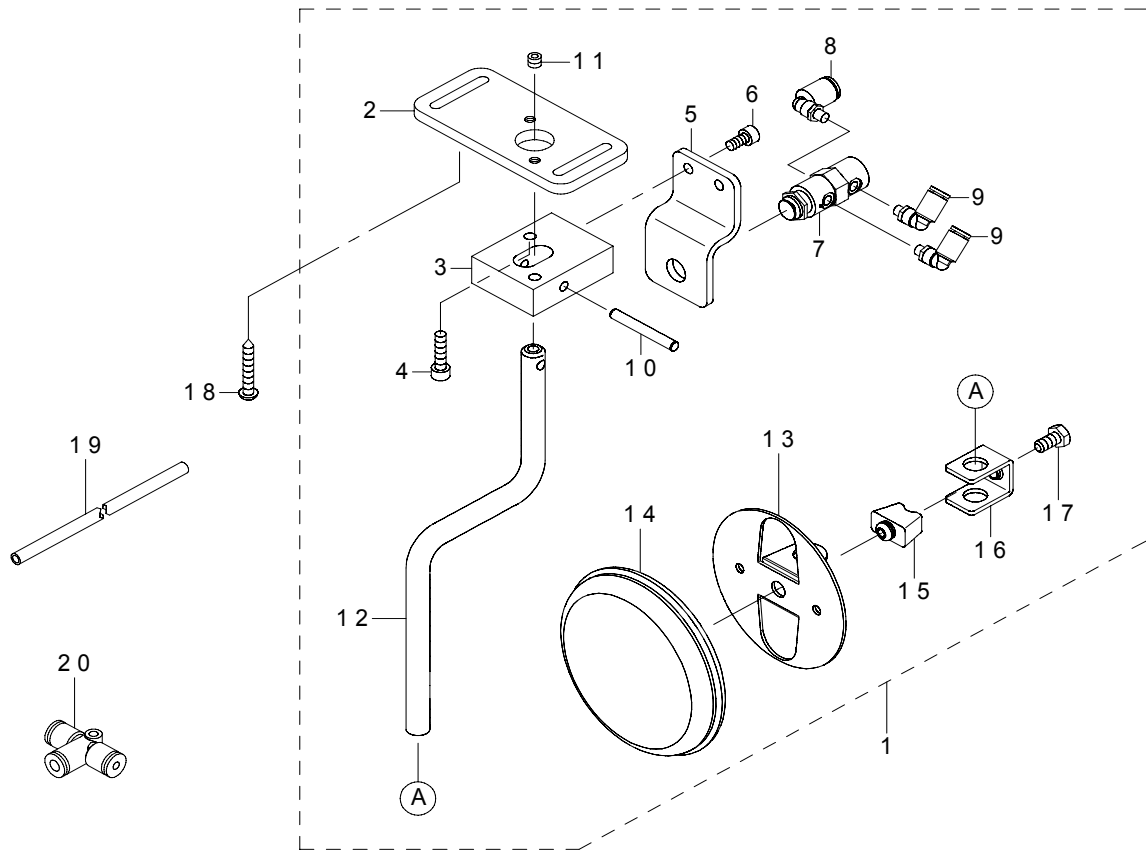
#### 4. KNEE SWITCH COMPONENTS (FOR 22)





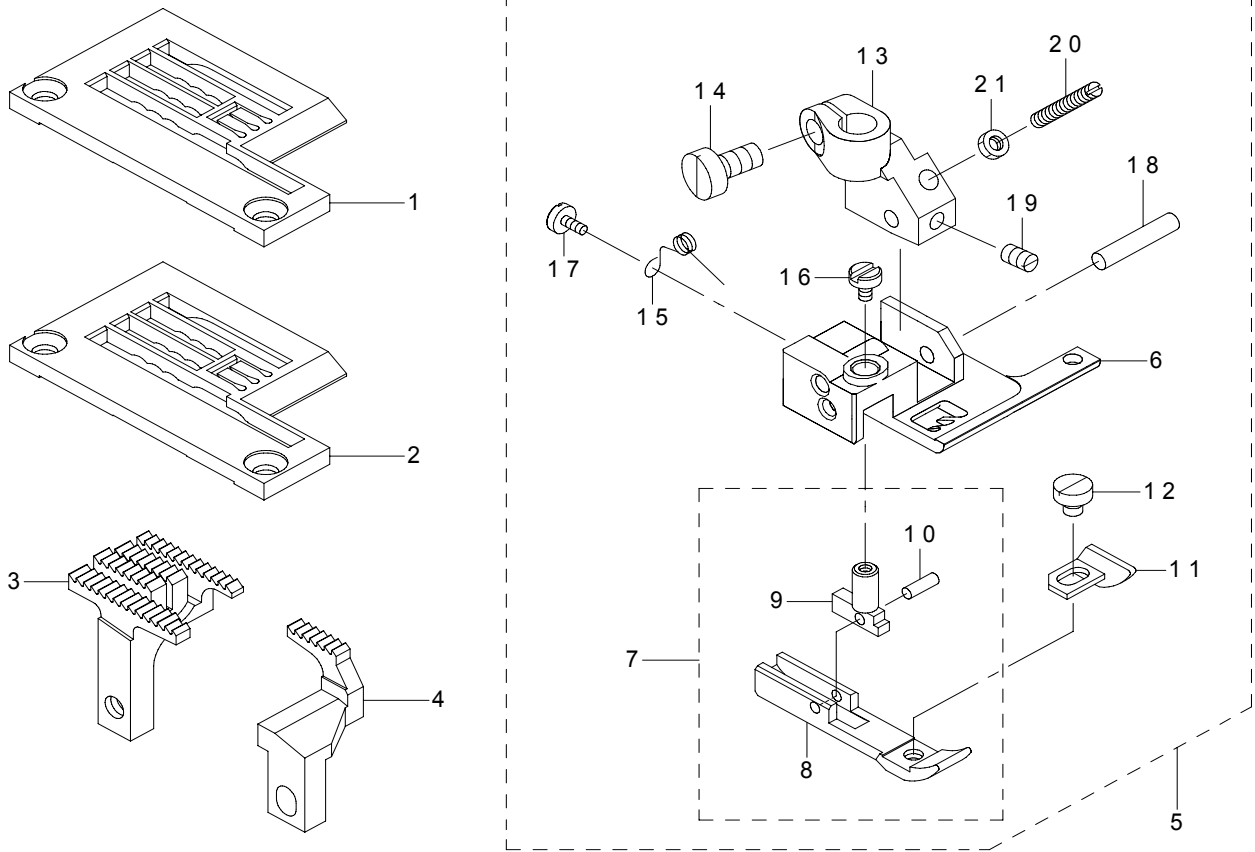
REF.NO	NOTE	PART NO	DESCRIPTION	Qty
1		400-34580	SHAFT	1
2		400-30284	COLLAR	2
3		SM-6051000-SP	SCREW	2
4		400-34581	LEVER_BRACKET	1
5		400-34583	LEVER	1
6		SM-9061203-SE	SCREW M6 L=12	2
7		400-34584	KNEE_SWITCH_BLOCK	1
8		SM-9061203-SE	SCREW M6 L=12	2
9		400-34590	ADJUSTING_PLATE	1
10		SM-6061002-TP	SCREW M6 L=10	2
11		400-34585	KNEE_SWITCH_SHAFT	1
12		NM-6100001-SE	NUT FOR SPRING ADJUSTING BOLT	1
13		229-34202	KNEE PAD PLATE	1
14		229-34509	KNEE PAD PLATE COVER	1
15		229-34400	KNEE PAD PLATE RUBBER	1
16		229-34301	KNEE PAD PLATE SUPPORT	1
17		SM-9061203-SE	SCREW M6 L=12	1
18		400-34589	PULLEY_ASSY	1
19		400-34587	PULLEY_BRACKET	(1)
20		400-34588	PIN	(1)
21		400-34586	PULLEY	(1)
22		RE-0700000-K0	E-RING 7	(1)
23		NM-6080003-SC	NUT M8	(1)
24		WP-0850002-SP	WASHER 8.5X18X1.6	(1)
25		WP-1021016-SD	WASHER	(1)
26		SK-3483201-SE	WOOD SCREW D=4.8 L=32	2
27		400-37943	CHAIN	1
28		400-34841	S_SHAPED_HOOK	2

## 5. KNEE SWITCH VALVE COMPONENTS (FOR 23)



REF.NO	NOTE	PART NO	DESCRIPTION	Qty
1		400-33017	KNEE_SWITCH_MECH_VALVE_ASSY	1
2		400-33018	KNEE_SWITCH_PLATE	(1)
3		400-33019	KNEE_SWITCH_SHAFT_BRACKET	(1)
4		SM-6052002-TN	BOLT	(2)
5		400-33020	VALVE_BRACKET	(1)
6		SM-6051002-TP	SCREW M5X0.8 L=10	(2)
7		PV-0105020-00	AIR VALVE	(1)
8		PJ-3040405-05	ELBOW	(1)
9		PJ-3040405-04	ELBOW UNION	(2)
10		PH-0500400-C0	PARALLEL PIN	(1)
11		SM-8050412-TP	SCREW M5 L=4	(1)
12		400-33021	KNEE_SWITCH_SHAFT	(1)
13		229-34202	KNEE PAD PLATE	(1)
14		229-34509	KNEE PAD PLATE COVER	(1)
15		229-34400	KNEE PAD PLATE RUBBER	(1)
16		229-34301	KNEE PAD PLATE SUPPORT	(1)
17		SM-9061203-SE	SCREW M6 L=12	(1)
18		SK-3483201-SE	WOOD SCREW D=4.8 L=32	2
19		BT-0600401-EB	TUBE	0.2
20		PJ-3050600-04	TEE UNION	1

## 6. GAUGE COMPONENTS



REF.NO	NOTE	PART NO	DESCRIPTION	Qty
1	#01	133-51606	THROAT_PLATE	1
2	#02	133-51705	THROAT_PLATE	1
3		134-30301	MAIN_FEED_DOG	1
4		134-32307	DIFF_FEED_DOG	1
5		400-37398	PRESSER_FOOT_56_ASSY	1
6		400-37400	PRESSER_FOOT_BOTTOM_56	(1)
7		133-76355	YIELDING_SECTION_ASSEMBLY	(1)
8		133-76306	YIELDING_SECTION	(1)
9		133-77205	YIELDING_SECTION_SHANK	(1)
10		133-77304	PIVOT_PIN	(1)
11		400-37401	PRESSER_FOOT_GUIDE	(1)
12		SM-6030350-SD	SCREW M3 L=2.9	(1)
13		133-76504	PRESSER_FOOT_SHANK	(1)
14		SM-6040800-SP	SCREW	(1)
15		133-76603	YIELDING_SECTION_SPRING	(1)
16		133-76702	THREAD_SPRING_SCREW	(1)
17		SM-4030455-SP	SCREW	(1)
18		PH-0300162-C0	PARALLEL PIN 3X16	(1)
19		SM-8030500-SP	SCREW	(1)
20		133-76801	SCREW_FOR_PRESSER_FOOT	(1)
21		NM-6030001-SD	NUT M3X0.5	(1)
	NOTE		#01....FOR B56 #02....FOR B64	

## **JUKI CORPORATION**

SEWING MACHINERY BUSINESS UNIT  
2-11-1, TSURUMAKI, TAMA-SHI,  
TOKYO, 206-8551, JAPAN

PHONE:(81)42-357-2371  
FAX:(81)42-357-2380

Copyright© 2013 JUKI CORP.  
All rights reserved throughout the world.

Printed in China